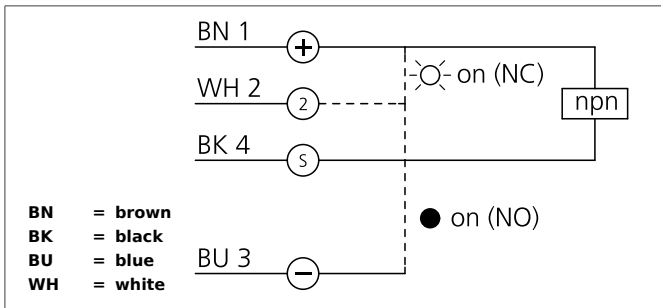


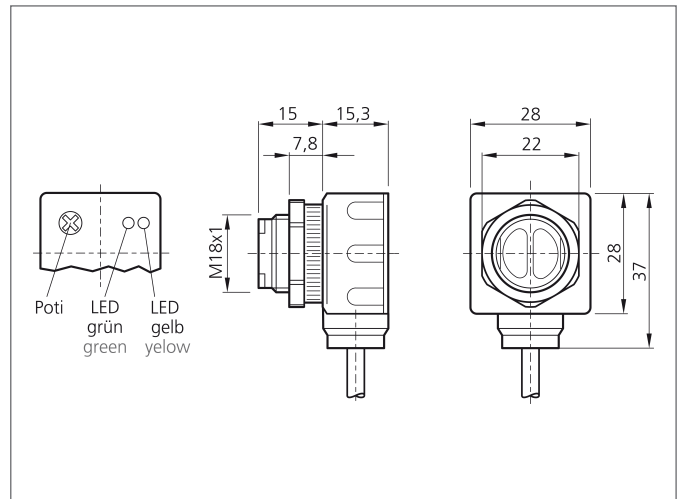
# OR 6-18 KR 2000 N3LK Retroreflective Sensor

- Reflector included
- Plastic housing
- Cable version
- Infrared light
- Sensitivity adjustable
- LED indicator for output state



### Safety instructions

The Instruments are not to be used for safety applications, in particular applications in which safety of persons depends on proper operation of the instruments.  
These instruments shall exclusively be used by qualified personnel.



TECHNICAL INFORMATION (typ.)		+20°C, 24V DC
Operating principle		Retroreflective sensor
Evaluation		digital
Size		28 x 28 x 15.3 mm (Dimensions) M18 x 1 (thread)
Design		cuboid design
Emitted light		Infrared, 880 nm, clocked
Operating distance		2.000 mm, 3.000 mm, 6.000 mm
Service voltage		10 ... 30 V DC
Internal power consumption		< 30 mA
Notee, powered by		2.000 mm (R 46) 3.000 mm (R 84) 6.000 mm (R 100x100)
Sensitivity adjustment		potentiometer
Referring reflector		R 46, (included)
Switching output		npn, 100 mA, NO/NC, programmable
Switching frequency		333 Hz
Response-/release time		1,5 ms / 1,5 ms
Ambient temperature		-25 ... +55 °C
Ambient light immunity		3 kLx, clocked light, > 10 kLx, Sunlight
Protection class		IP 66
Protection degree		III, operation on protective low voltage
Casing material		ABS
Material		polymethyl methacrylate (Window)
Connection		Cable, 2 m